

Phonic Range - Acoustic Wall Panels

Our Phonic Acoustic Wall Panels are a high quality sound absorbing panel system. The panels are designed as a wall lining to control reverberant noise in areas with hard surfaces. The Phonic Acoustic Wall Panel system improves the quality of the workplace environment due to the products ability to absorb echo and reverberation. Designed with a fabric finish which is available in a large range of fabric colours.



Advantages

- Outstanding sound absorption performance
 - Class A and Class C
- Over 100 standard fabric colours available
- Impact resistant
- High content of recycled material
- Easy installation method
- Quick availability

Phonic Acoustic Wall Panels offer a fabric faced panel solution for areas where there is an echo and reverberation problem. The acoustic wall panels are extensively used in schools, offices, restaurants, studios, sports and community halls and meeting rooms.

Phonic Acoustic Wall Panels perform on several fronts. As well as solving your acoustic problem, they also come to you pre-decorated, injecting colour and texture into your desired setting. Ideal for any internal environment where first impressions count and noise management enhances the quality of space. Designed to transform any area creating the perfect impression.

Phonic Acoustic Wall Panels are available in standard size panels and can be manufactured in customised sizes to meet your requirement. The Phonic Acoustic Wall Panels can change the aesthetics of a room as well as making it acoustically correct. We offer a wide variety of fabric colours which come in both standard and superior fabric finishes. Clients are able to select a fabric of their own choice. Should this be the chosen option a small sample of the fabric would be required to check suitability. Phonic Acoustic Wall Panels are applied to the wall with impaling clips and contact adhesive.

Technical Information

PHONIC ACOUSTIC WALL PANEL - DIRECT FIXED BACKING								
Frequency (Hz)	125	250	500	1000	2000	4000	NRC	Sound Absorption Class
40mm Panel	0.20	0.70	1.00	1.00	1.00	1.00	0.95	A

Cleaning

Light dirt marks may be removed by using a proprietary carpet spot cleaner. A small area should be tested before cleaning the rest of the area to ensure that the fabric is not adversely affected.

Weight

Each panel weigh in at 3.5kg/m² for the 25mm thickness panels.

40mm thickness panels weigh 4.5kg/m².

Note: All weights are given as approximations.

Fire

Phonic Acoustic Wall Panels have been tested and offers Class O fire rating to BS476: Part 6. Fabric facing complies with Class 1 to BS476: Part 7. Class O fabrics can be supplied on request.

Cutting

Each panel, if necessary, can be cut with a sharp Stanley knife.

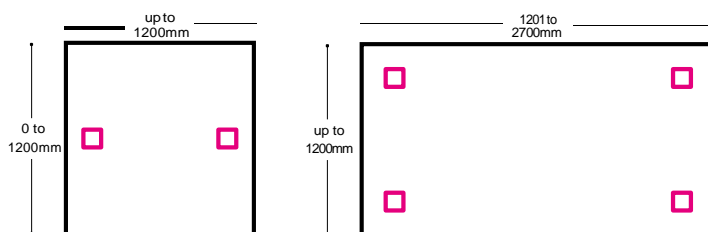
Standard Panel Sizes

1200 x 300mm 1200 x 1200mm 1200 x 2100mm

1200 x 600mm 1200 x 1500mm 1200 x 2400mm

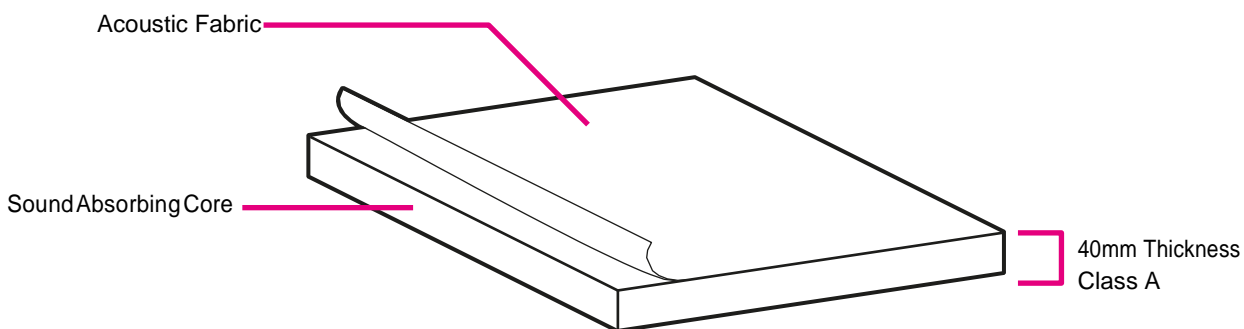
1200 x 900mm 1200 x 1800mm 1200 x 2700mm

Due to the directional weave in our fabrics, it is essential that the height & width dimension of each panel be stated when ordering. Dimensional tolerance of panels: +/- 4mm.



Design

Each Phonic Acoustic Wall Panel is manufactured to the highest standards. It consists of a 40mm thick sound absorbing core board. This board is then wrapped in our acoustic fabrics offered in a number of colours from our Cara and Lucia ranges.

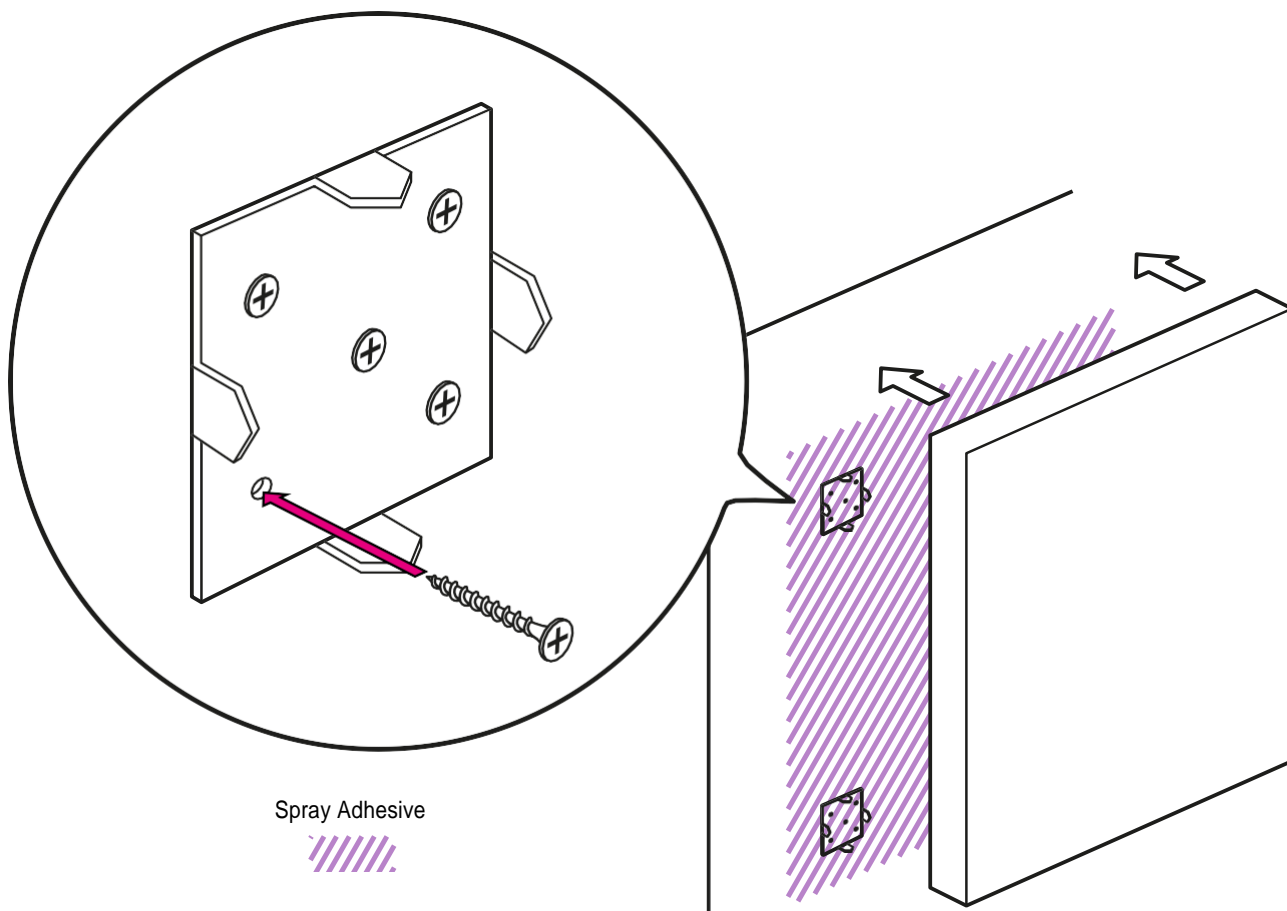


Application

Our panels can be applied to any wall surface by using our metal clips. Each clip should be securely fastened to the wall surface with adequate screws and fittings. For a stronger bond we recommend that you spray our adhesive in conjunction with the impaling clips.

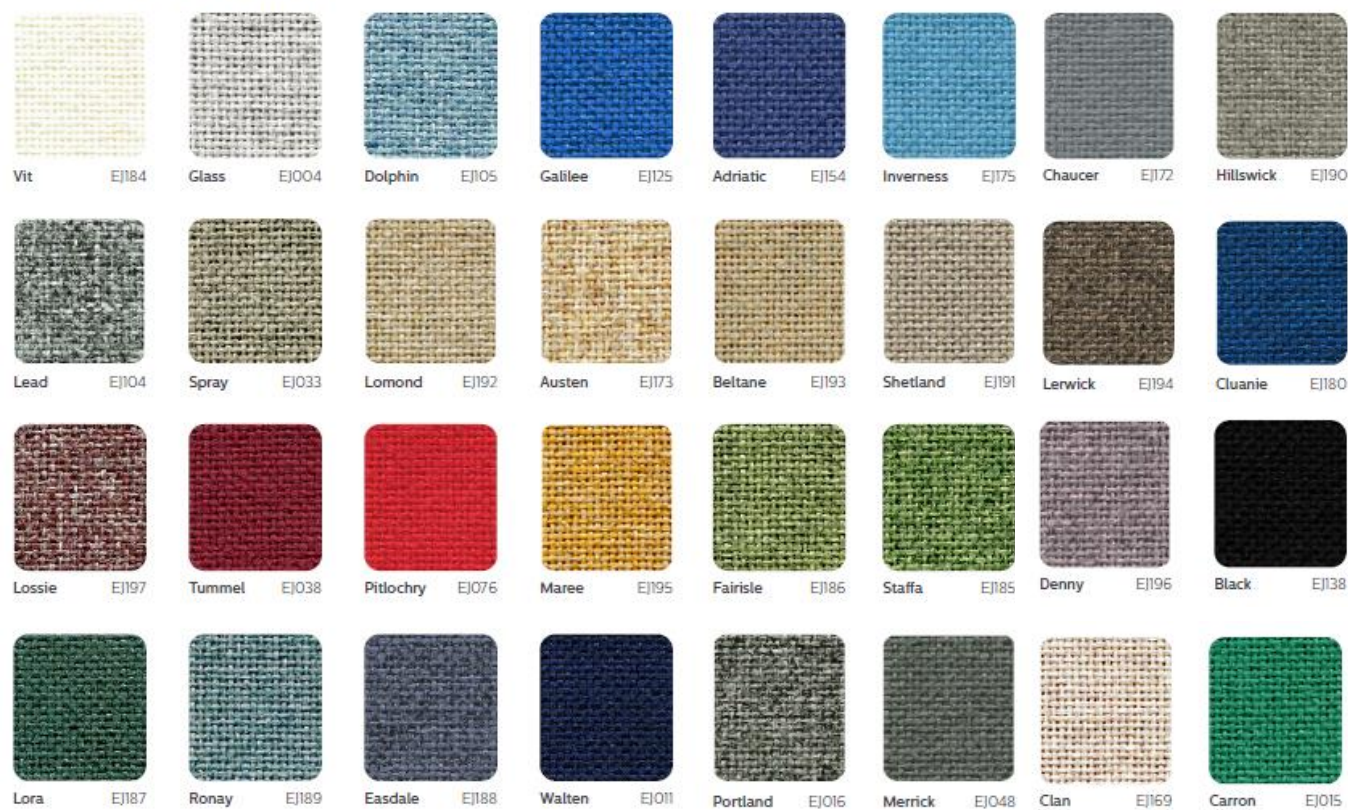
- Lightly trace the panel shape on the wall and begin marking where the clips are to be installed.
- Install the clips with 5 x adequate screws. Once installed, apply the spray adhesive to the wall surface within the traced lines of the panel.
- Further apply the adhesive to the reverse of the panel as create to both the area of the wall surface covered by each panel, and to the reverse of the panel itself.
- Press the panel onto the wall with even pressure on all edges and at the center of the panel.

We recommend that you use 2 x clips for panels up to 1200mm x 1200mm. For panels above this size we recommend using 4 x clips.



Fabric Colours

CARA COLOUR RANGE



LUCIA COLOUR RANGE



Digitally printed fabric wrapped acoustic panels



AAS



AAS Projects and Design Ltd. Cedar lodge, 60 Highfield Way, Rickmansworth, Hertfordshire. WD3 7PR

www.acoustic-solutions.co.uk